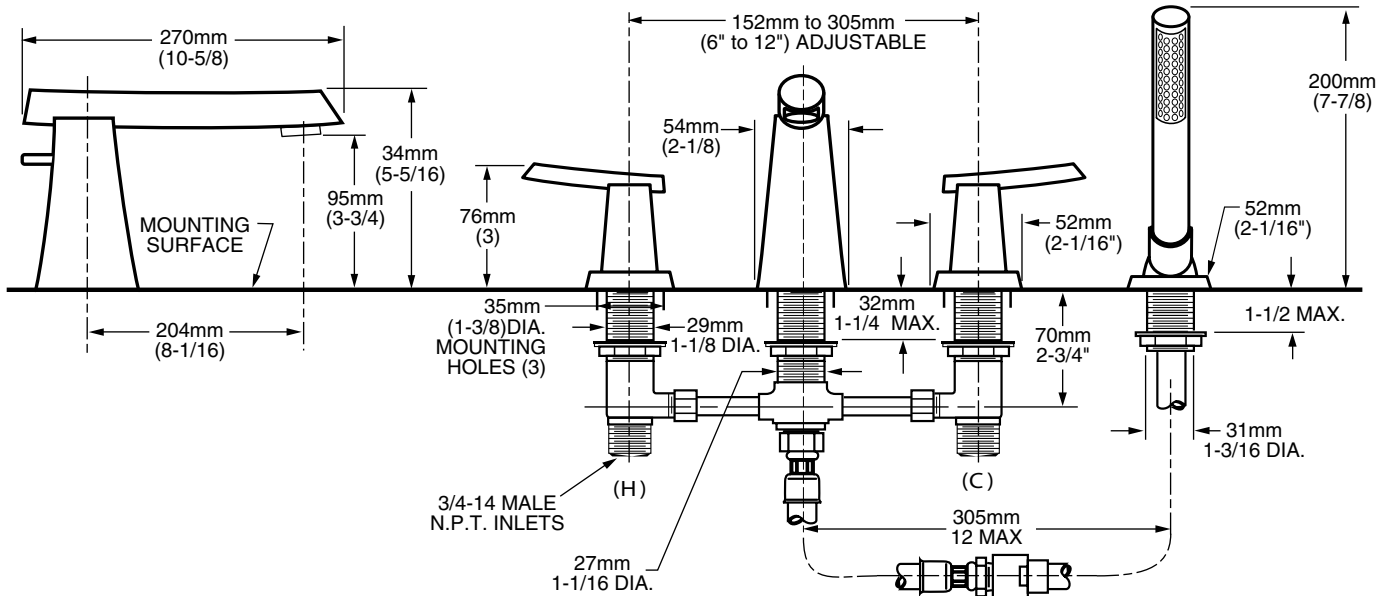


7010.901 Shown

MODEL NUMBER:

- ☐ **7010.901 Deck-Mount Tub Filler**
Personal shower. Metal Lever handles.
- ☐ **7010.900 Deck-Mount Tub Filler**
Less personal shower. Metal Lever handles.



GENERAL DESCRIPTION:

Durable brass spout with built-in diverter (on 7010.901). Rigid brass and copper waterway below deck. Brass valve bodies with 3/4" NPT inlets. 1/4 turn washerless ceramic disc valve cartridges. Personal shower features a 6-1/2' long hose (1-1/2' heavy duty hose and 5' decorative hose.) 2.5 gpm/9.5L/min. maximum flow rate.

PRODUCT FEATURES:

Brass Construction: Durable. Ideal for prolonged contact with water. Provides the finest surface for application of all finishes.

Ceramic Disc Valve Cartridges: Assures a lifetime of drip-free performance.

Choice of Finishes: Available in Polished Chrome or Stainless Steel (PVD).

SUGGESTED SPECIFICATION:

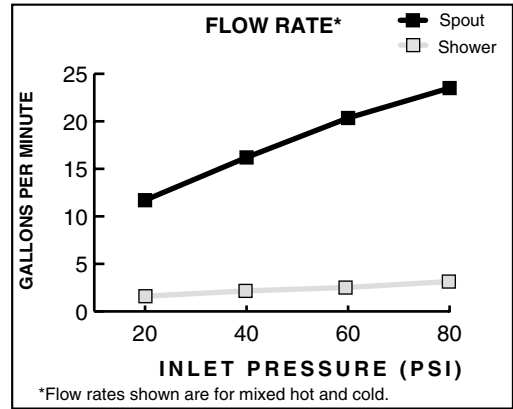
Two handle deck-mount tub filler shall feature brass construction with brass and copper waterway. Shall also feature 1/4 turn washerless ceramic disc valve cartridges. Fitting shall be American Standard Model #7010.____.

CODES AND STANDARDS


These products meet or exceed the following codes and standards:

- ANSI A117.1**
- ASME A112.18.1**
- CSA B125**

Check local plumbing codes. Some installations may require a vacuum breaker.



Product Number	Description	Finish Options	
		Polished Chrome	PVD Stainless Steel
		002	075
7010.901	Deck-Mount Tub Filler. Personal shower. Metal Lever handles.		
7010.900	Deck-Mount Tub Filler. Less personal shower. Metal Lever handles.		

 Meets the American Disabilities Act Guidelines and **ANSI A117.1** Requirements for the physically challenged.